

2024 RENTAL CATALOGUE

Technical Arts Group | 240 Anderson Avenue | Moonachie, NJ 07074 | (855) TAG-LIVE | rentals@taglive.com

The logo consists of the letters 'TAG' in a bold, blue, sans-serif font. The 'T' and 'A' are connected at the top, and the 'G' is positioned to the right of the 'A'. The letters have a slight 3D effect with a white shadow on the right side.

We're it!



Grand MA 3



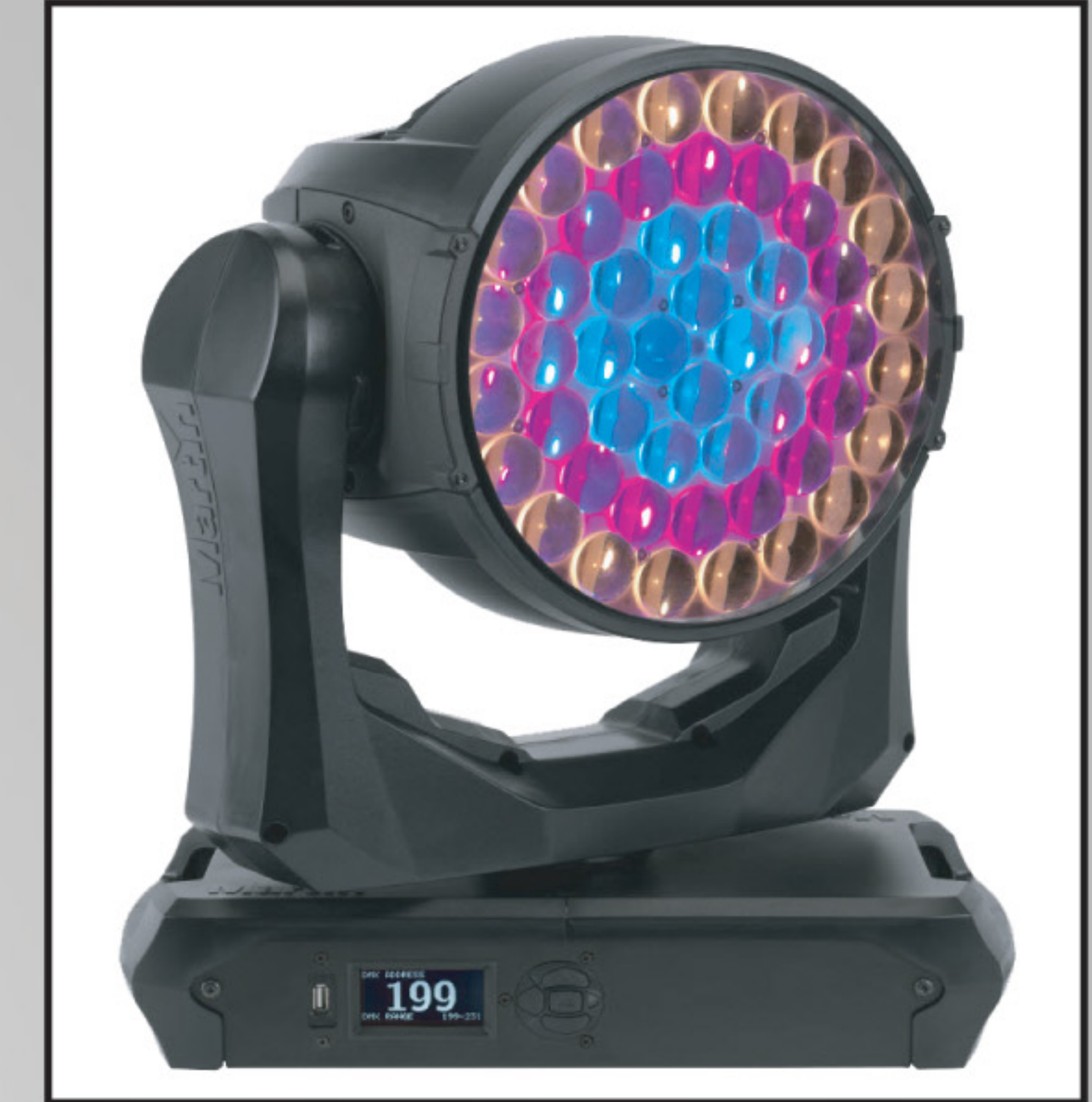
Grand MA 2



ETC Ion XE20



Spider



Quantum Wash



Rayzor 760



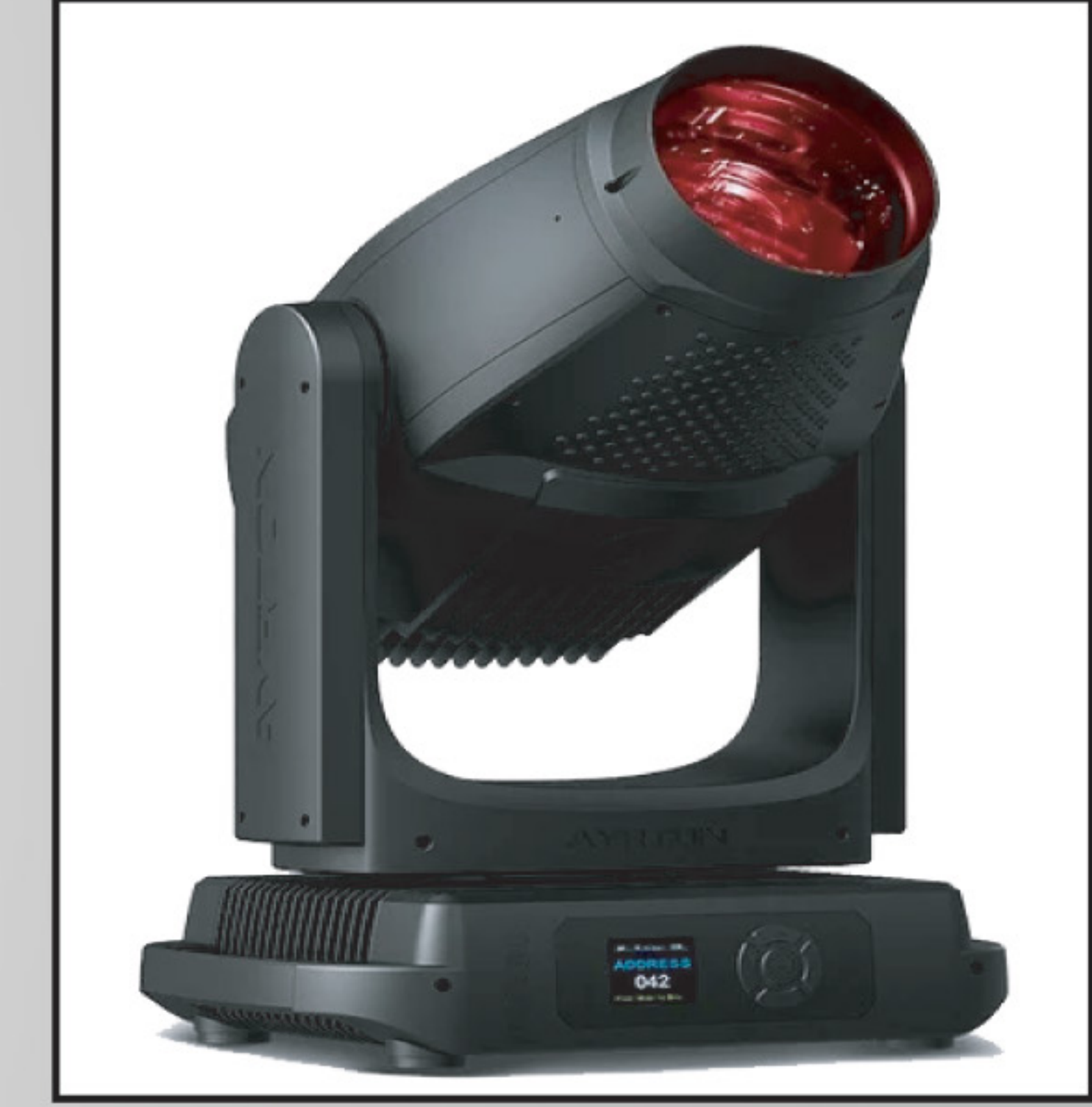
Domino



Proteus Hybrid



Allure Profile



Perseo-Beam



Proteus Maximus



MAC Viper XIP



Robe Pointe



Mega Pointe

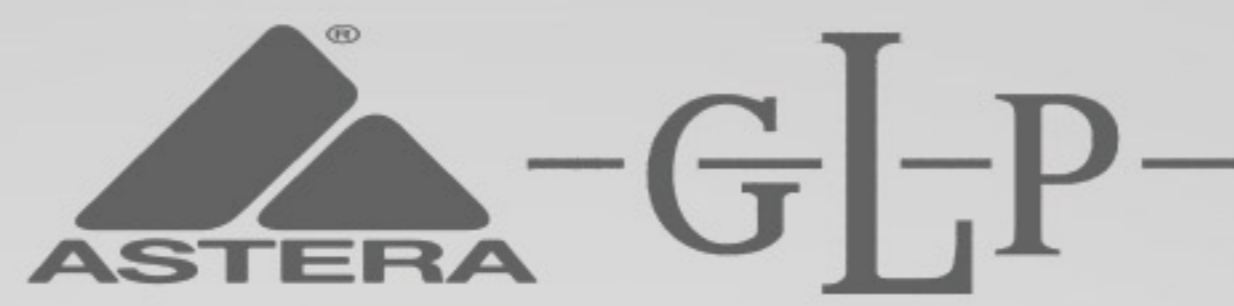


Spikie



SPECIALIZED LIGHTING

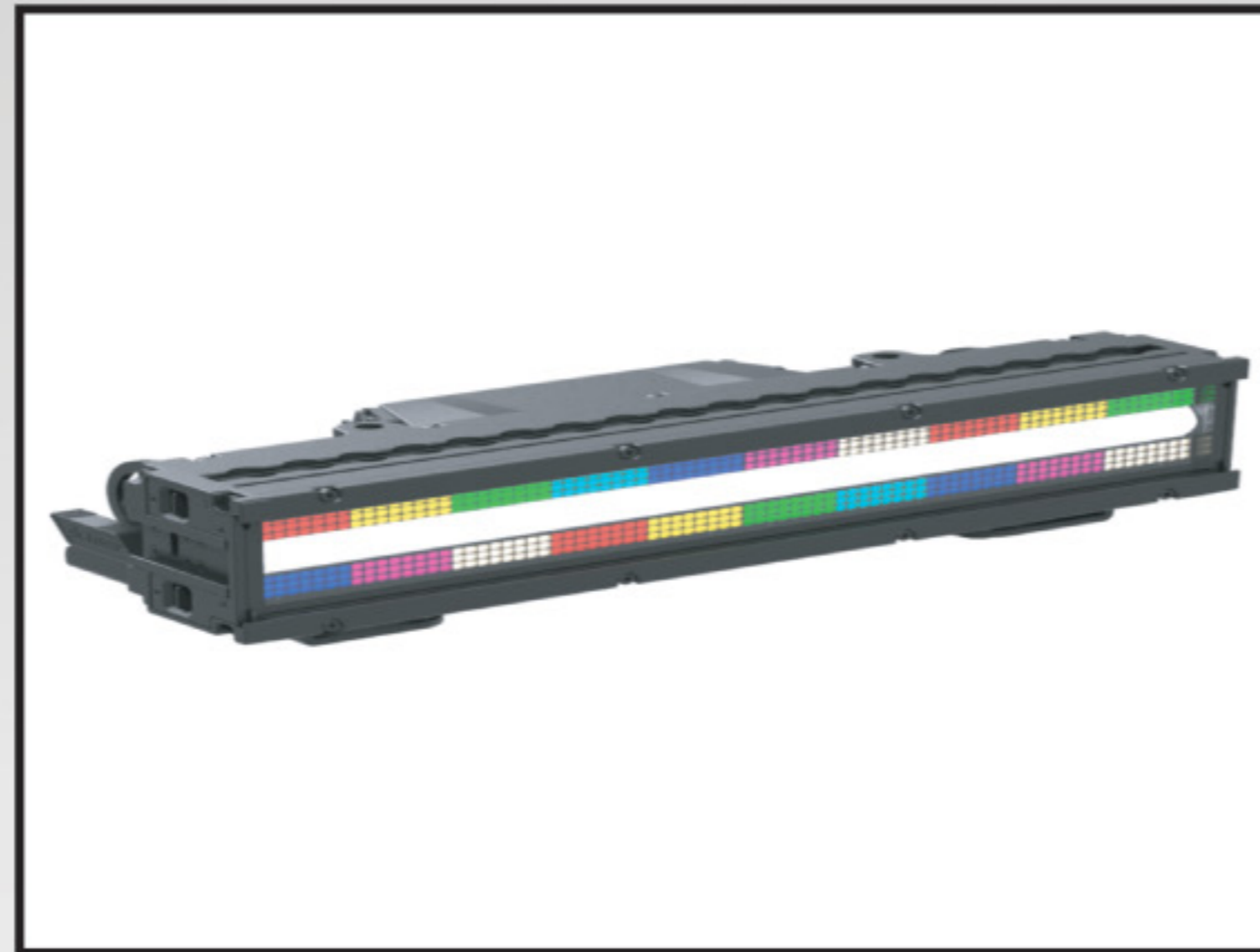
Technical Arts Group | 240 Anderson Avenue | Moonachie, NJ 07074 | (855) TAG-LIVE | rentals@taglive.com



PXL Bar 16



Impression X5 Bar



Pulse Bar



JDC-1



Q-7



Color Strike M



LED Blinders



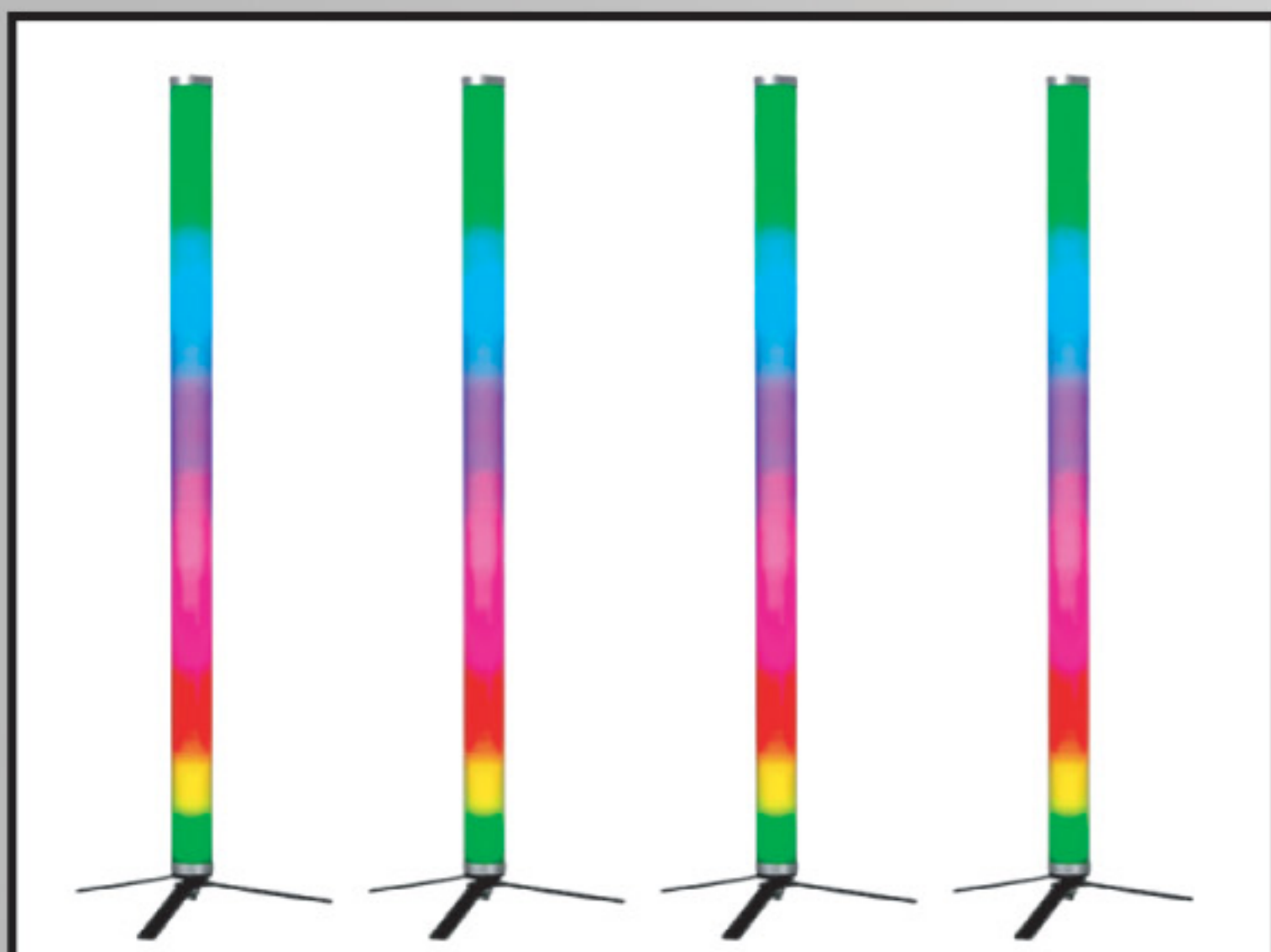
Colorado Solo2



Ovation 910 FC LED Leko



Source 4 Mini



Astera Titan Tubes



Fuel Pin Spots



QolorPoint



Freedom H1



Freedom Par H9



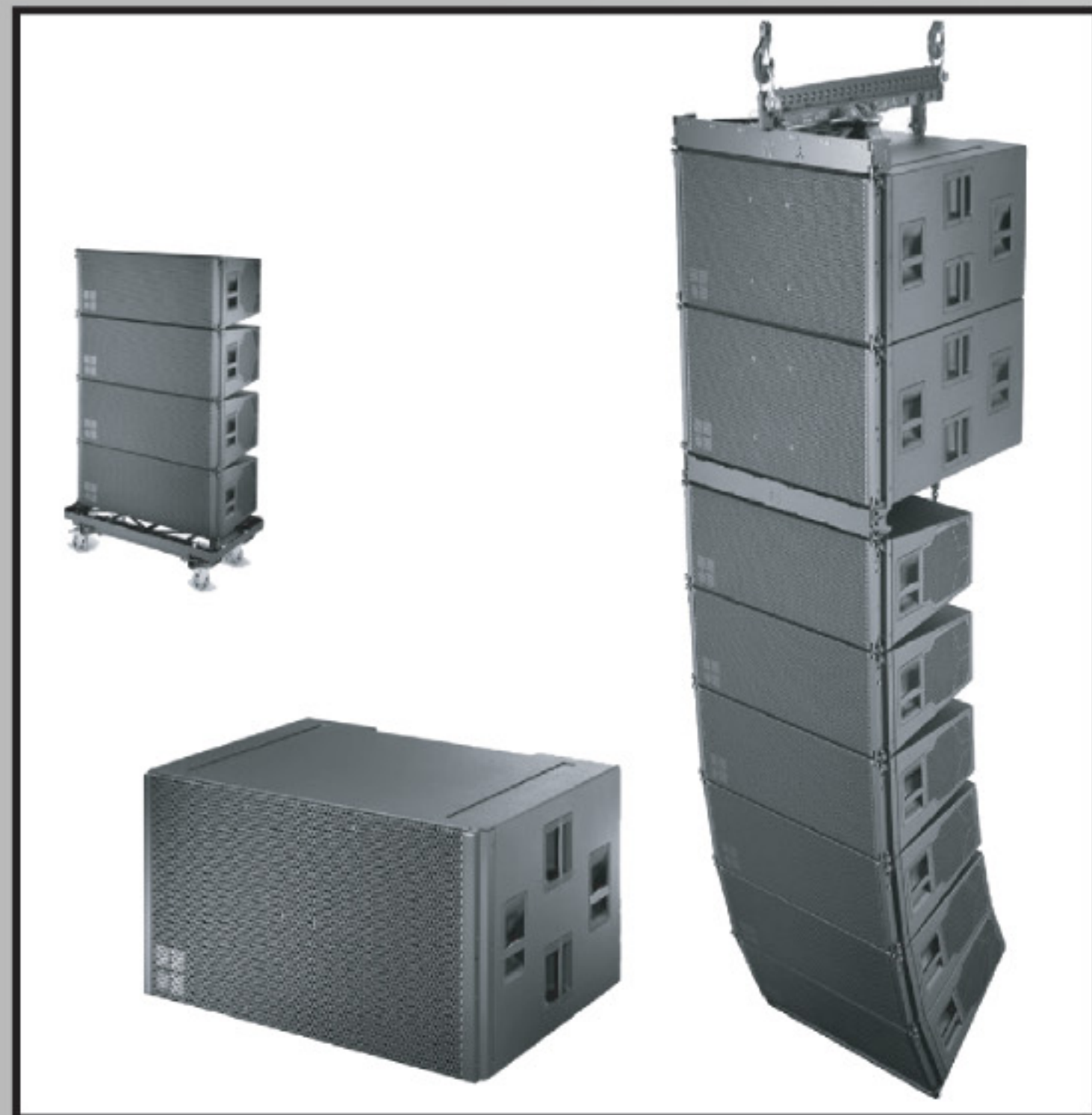
EVO Element



Mantis



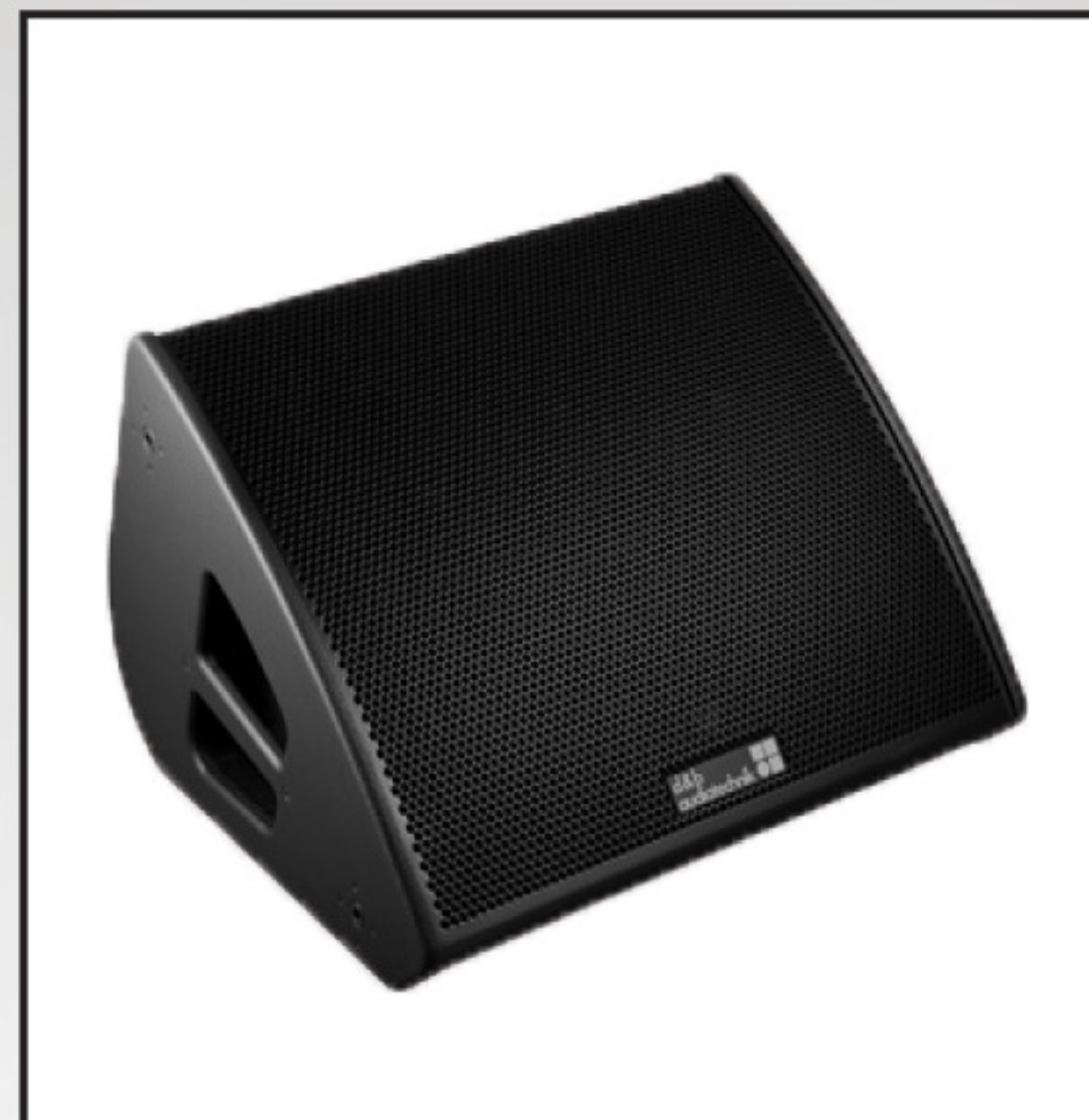
P3 EVO



D&B SL Series



D&B Y & V Series



D&B Monitor Wedges



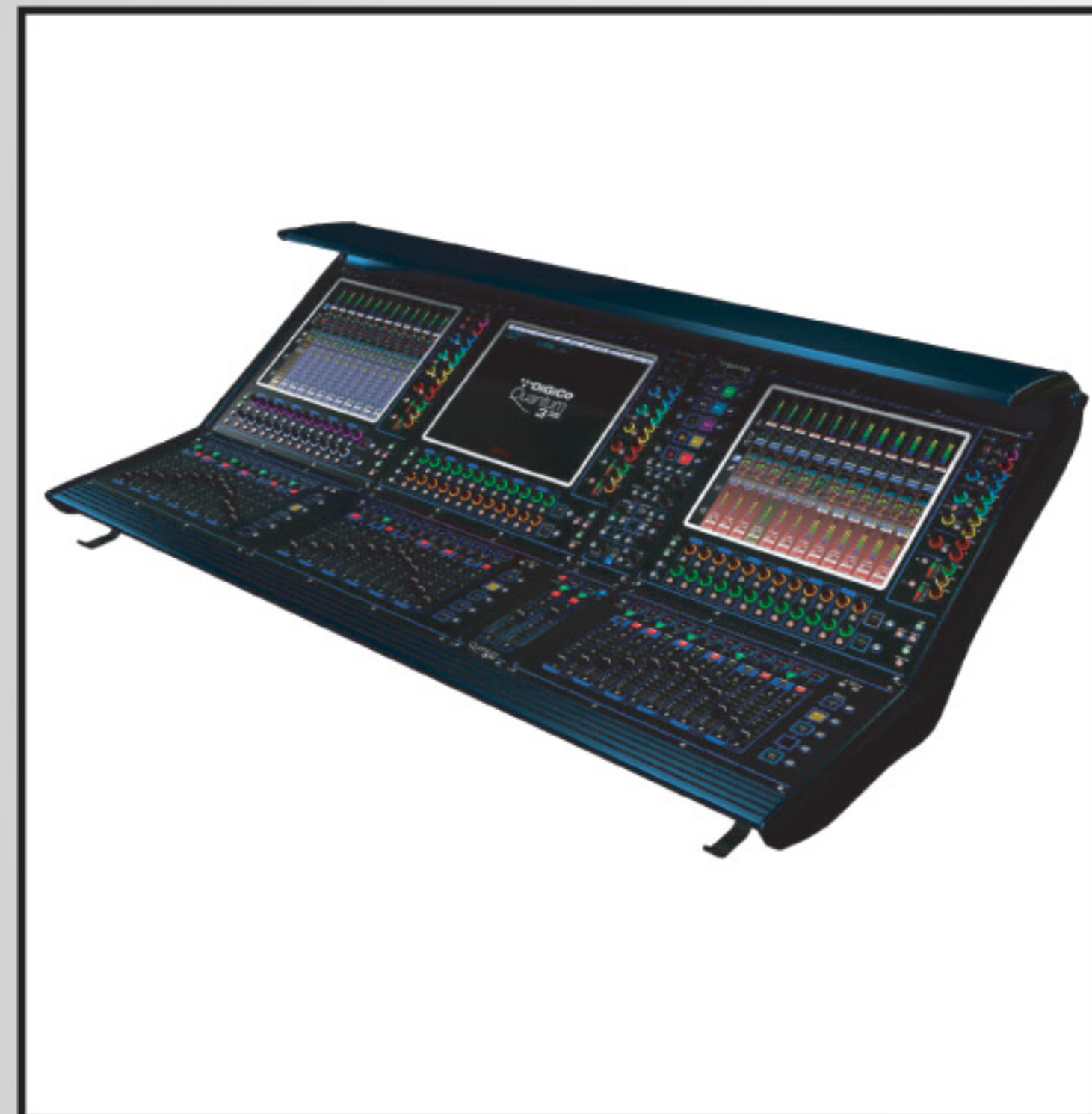
D&B D80 Amps



K-Array Systems



Digico Quantum 5



Digico Quantum 338



Digico SD9



Digico SD10



Digico SD12



Avid S6L



Yamaha Rivage PM10



Yamaha CL5



Shure Axient



Shure PSM1000



Pioneer Fender

TAMA ALLEN&HEATH

aguilar

drums DW KORG



CDJ3000



Instruments, Amplifiers, Hardware & Accessories



Microphones & DI's



CDJ2000 NXS2



DENON SC5000



DJM2000 NXS



DJM-A9



DJM-V10



DJM900 NXS2



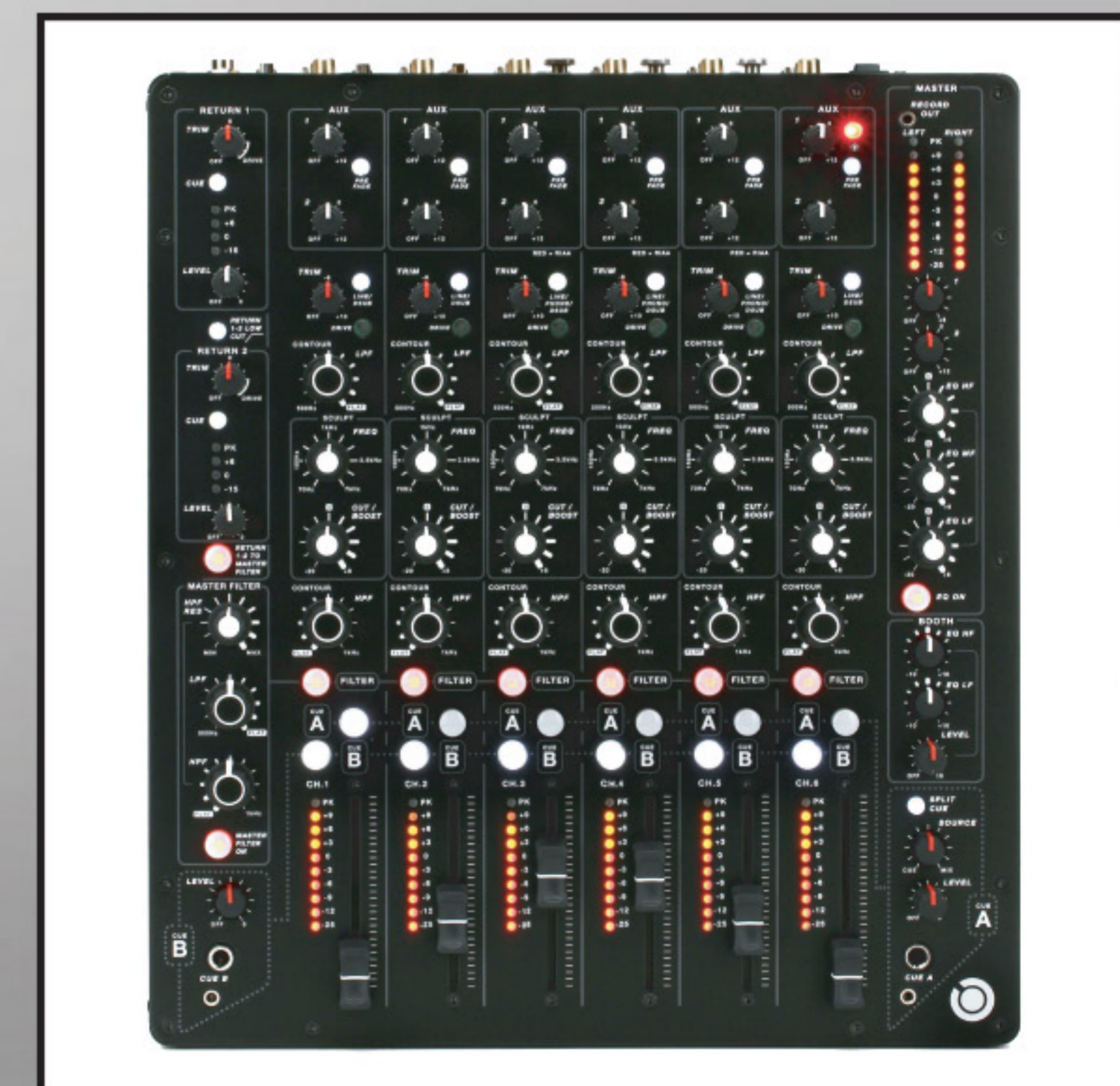
DENON X1800



XOne: 92



XOne: 96



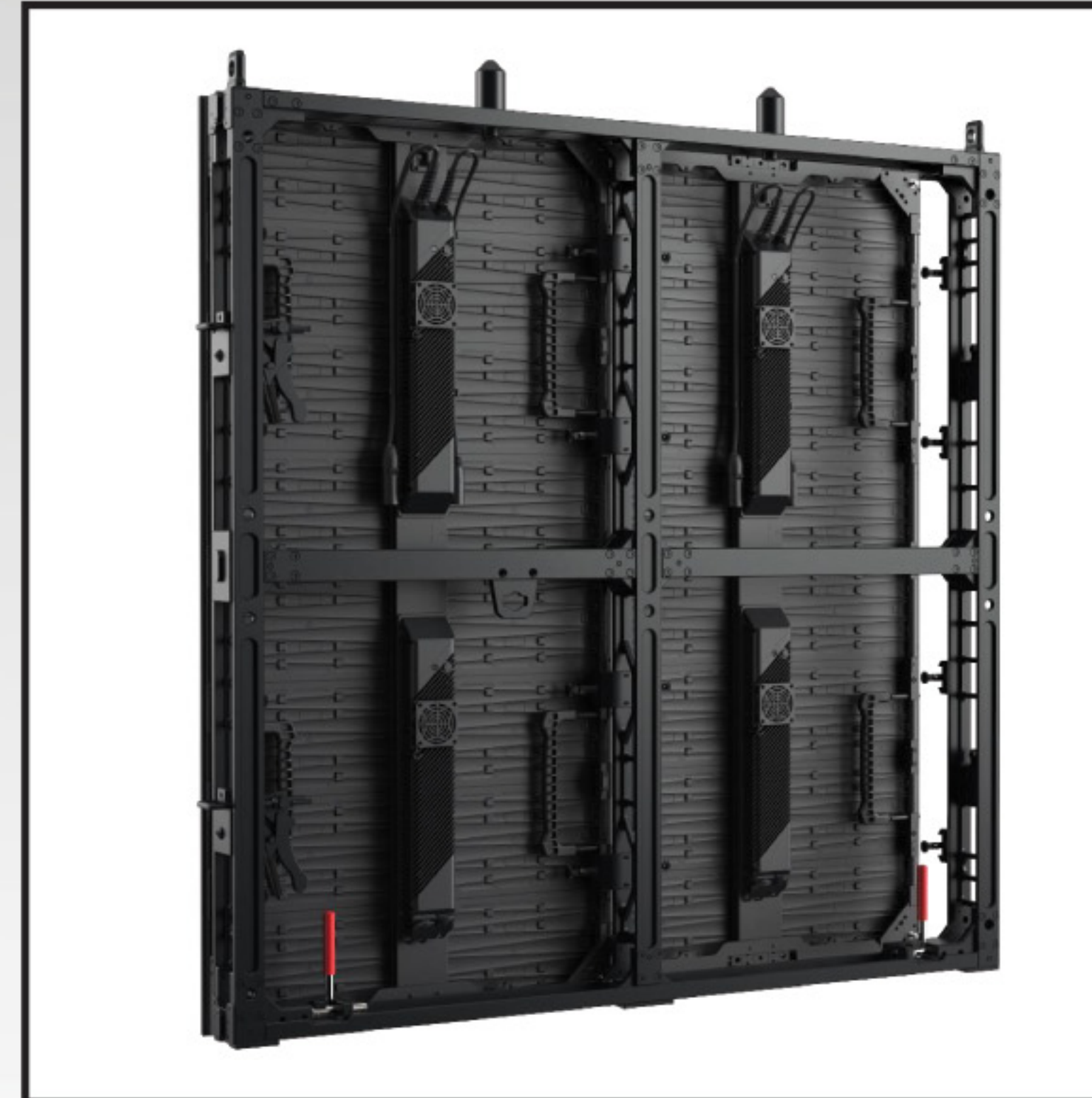
Model 1



Barco E2



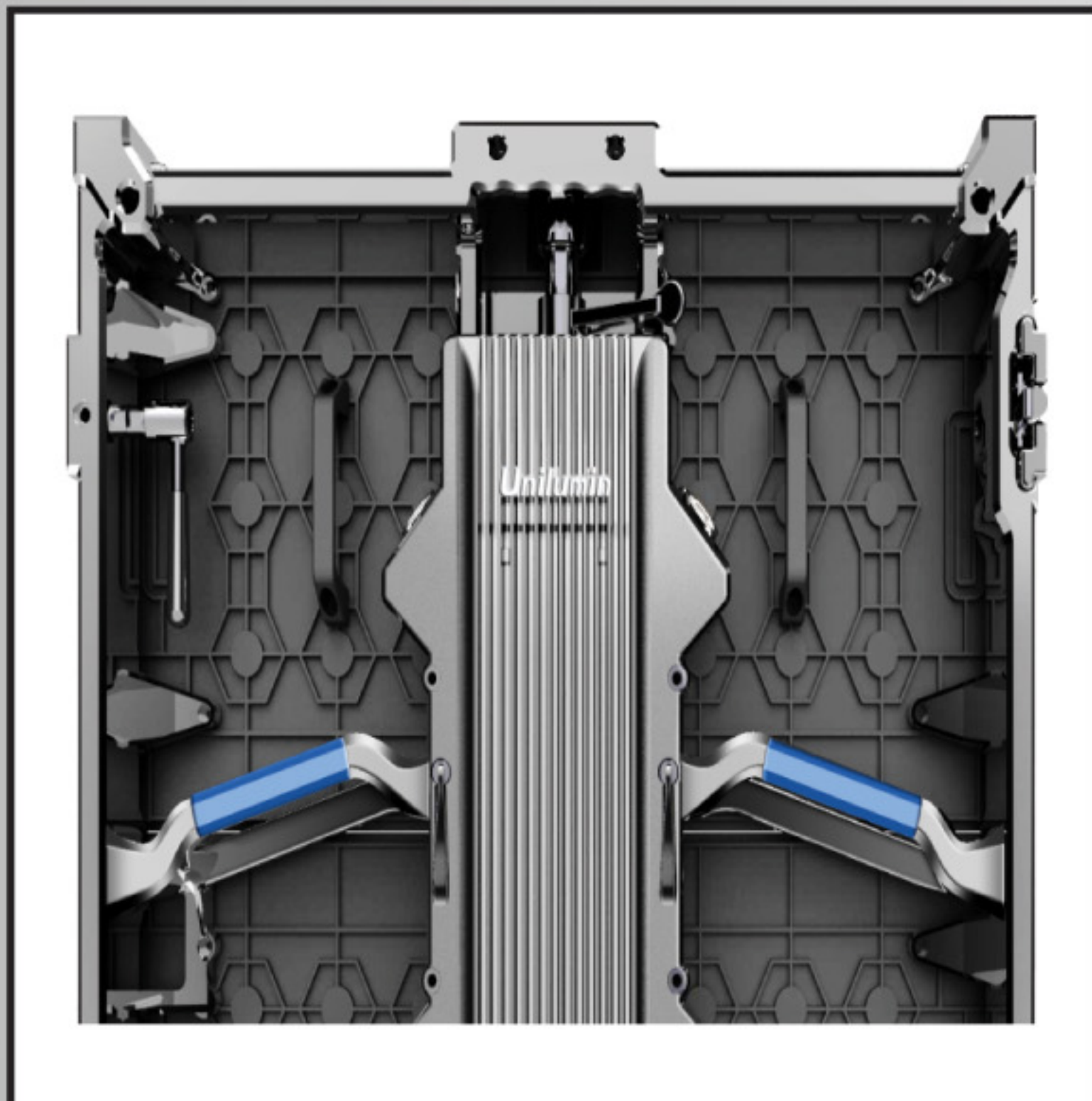
Absen Products



ROE CARBON Series



Infiled AMT 8.3 Vanish



Unilumin 2.6 - 3.9



4k LED Wall Processors



Disguise Servers



BlackMagic ATEM



Barco Projectors



BlackMagic Studio Cams



Panasonic PTZ Systems



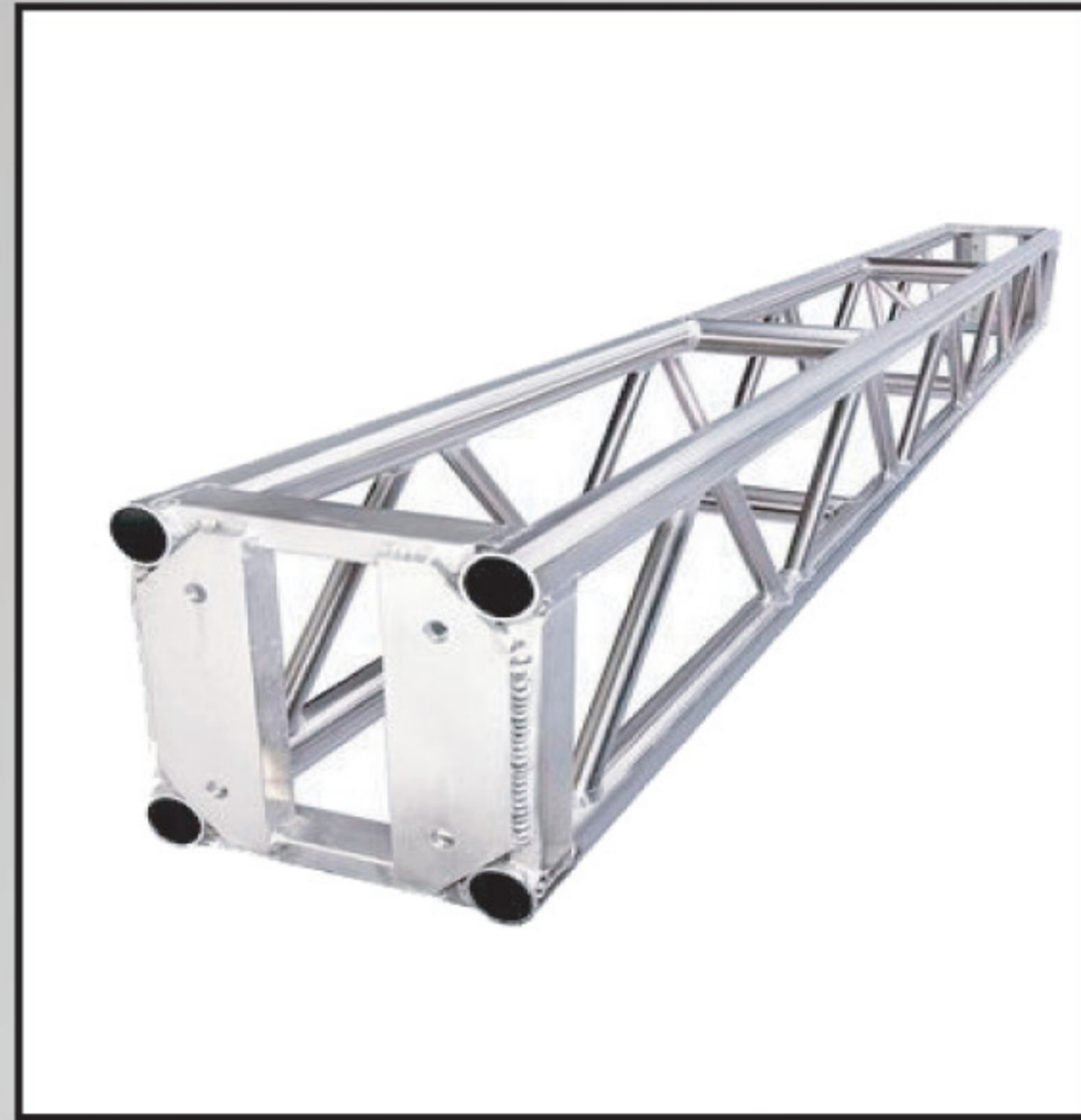
Large TV's with Stands

TAG STAGING & RIGGING

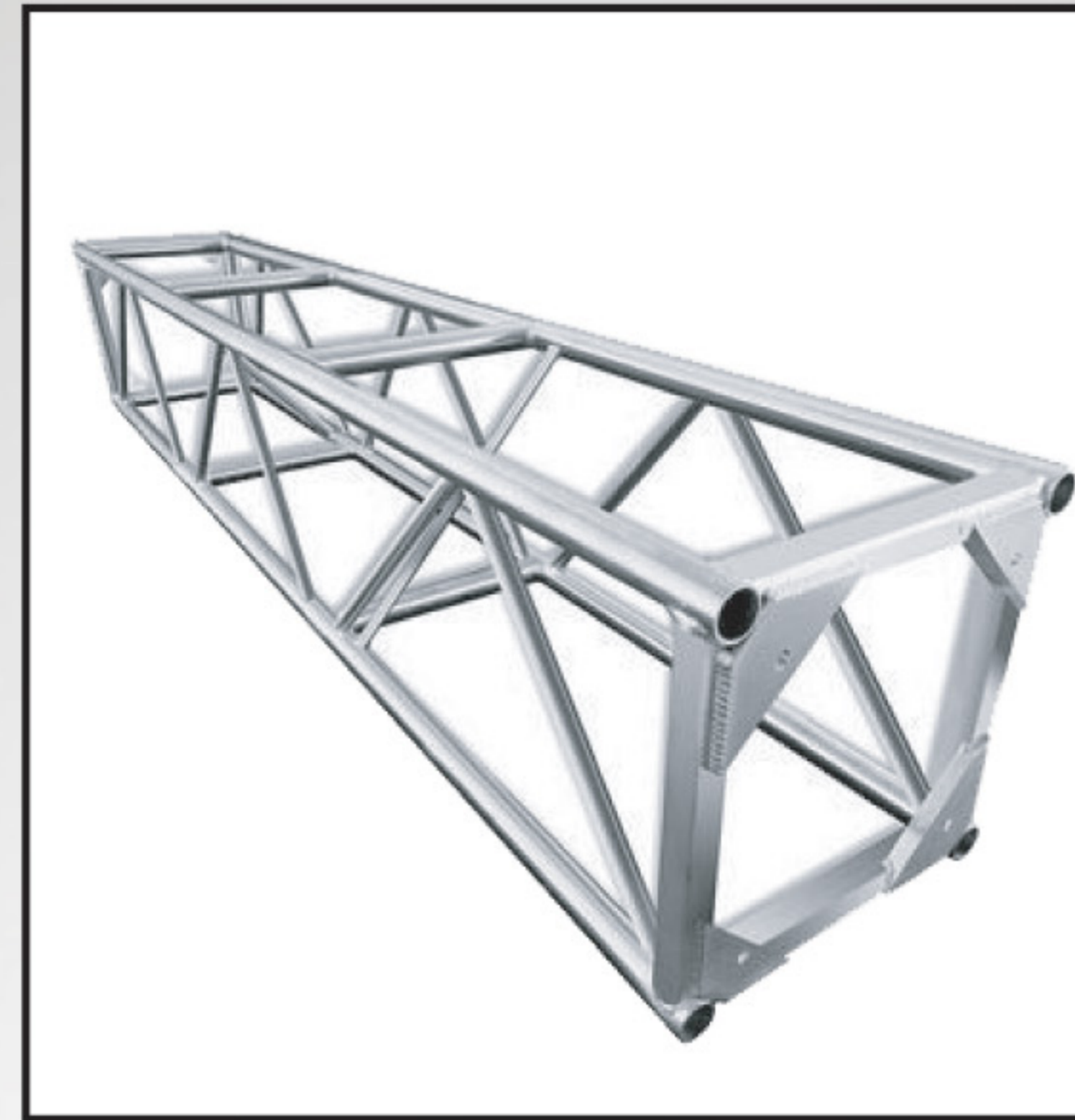
Technical Arts Group | 240 Anderson Avenue | Moonachie, NJ 07074 | (855) TAG-LIVE | rentals@taglive.com



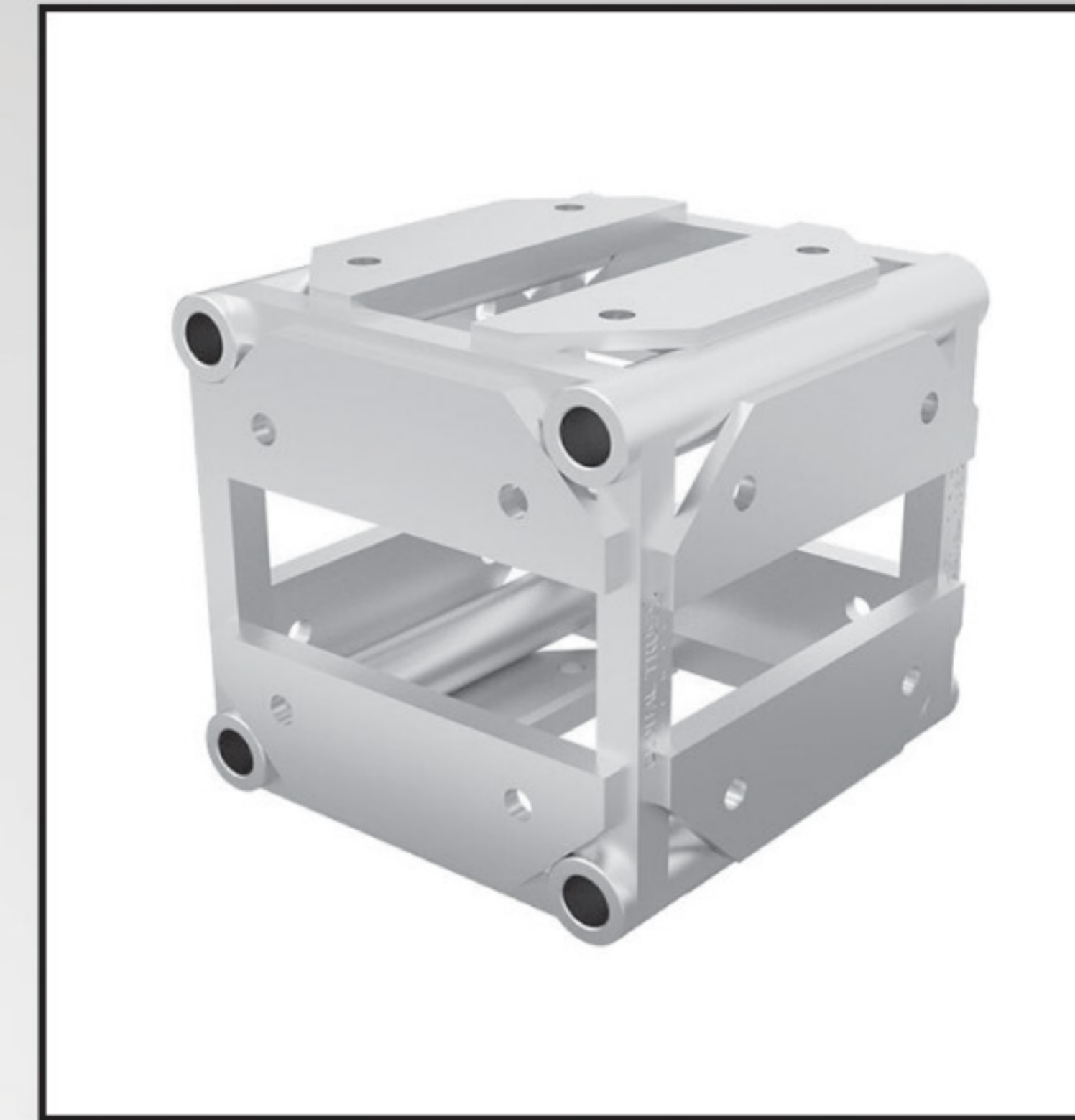
Tyler HUD GT Truss



12" Truss



20.5" Truss



Corner Blocks



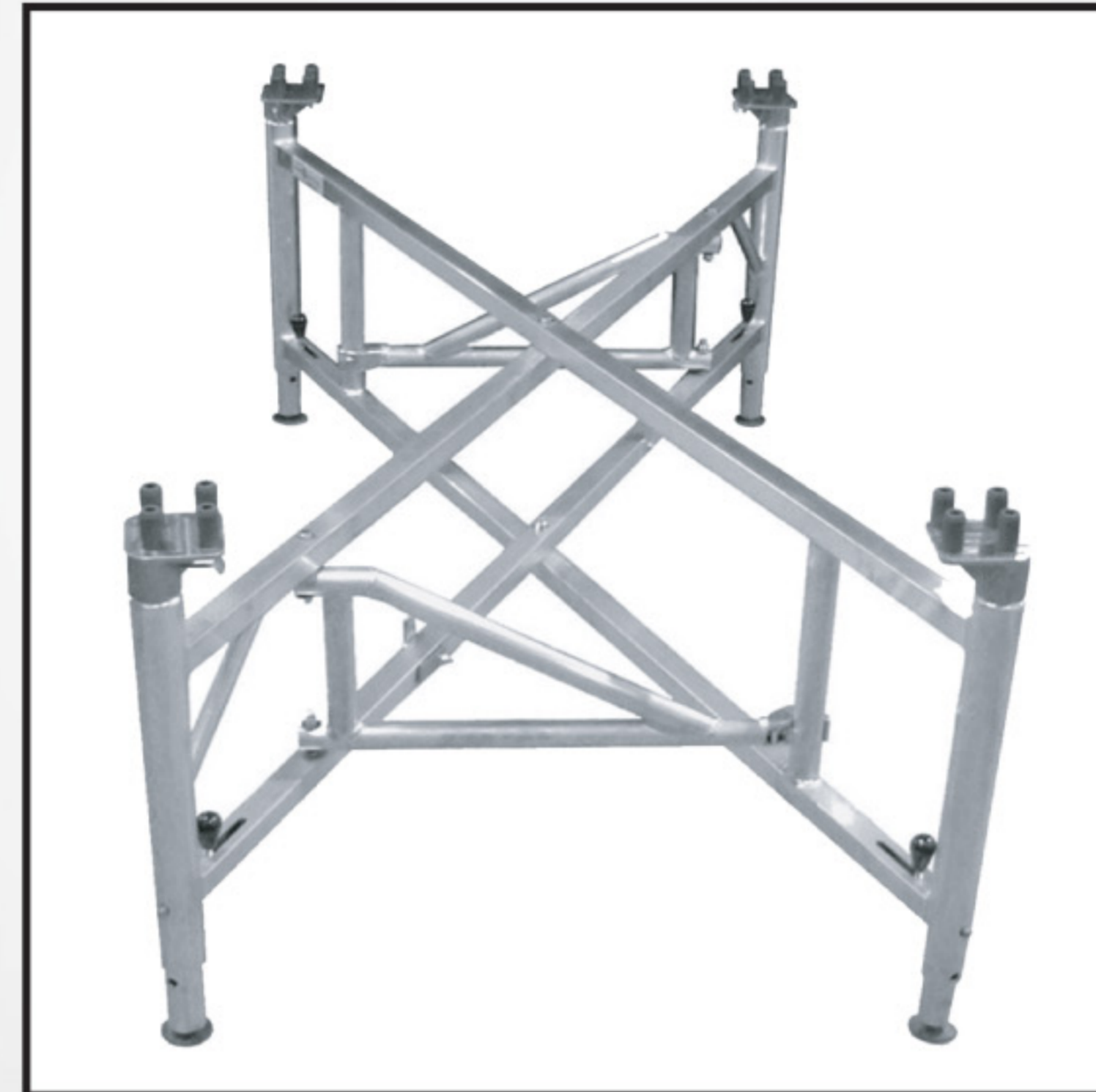
Truss Bases



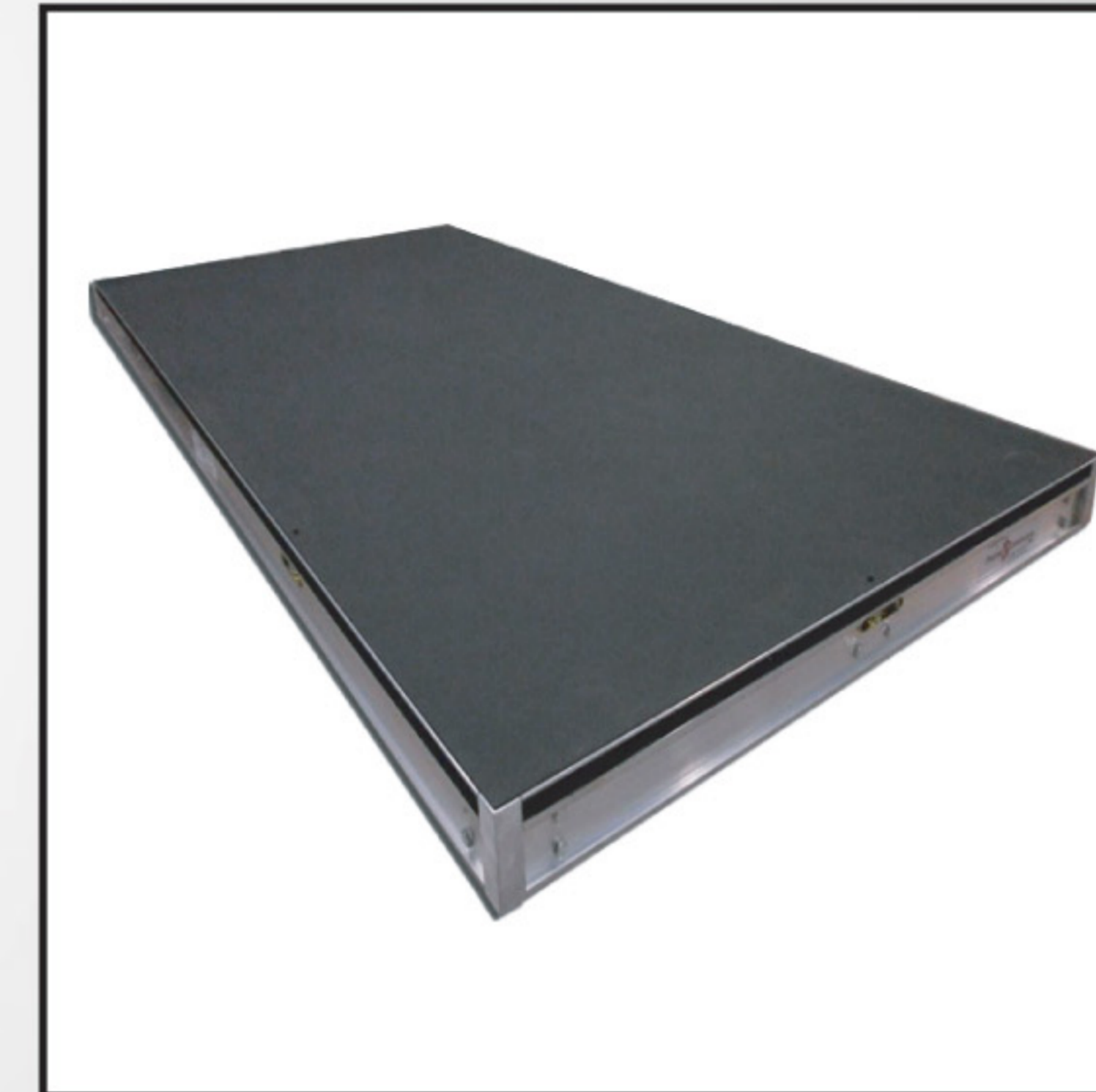
Structures



G-Blocks



Wunderstructure



Stage Decks



Custom Decks



Rolling Risers



Steps & Risers



Motors



Motor Controllers



Spansets & Shackles



SPECIAL FX & MISCELLANEOUS

Technical Arts Group | 240 Anderson Avenue | Moonachie, NJ 07074 | (855) TAG-LIVE | rentals@taglive.com



Foggers



Hazers



Big Shot Confetti Cannon



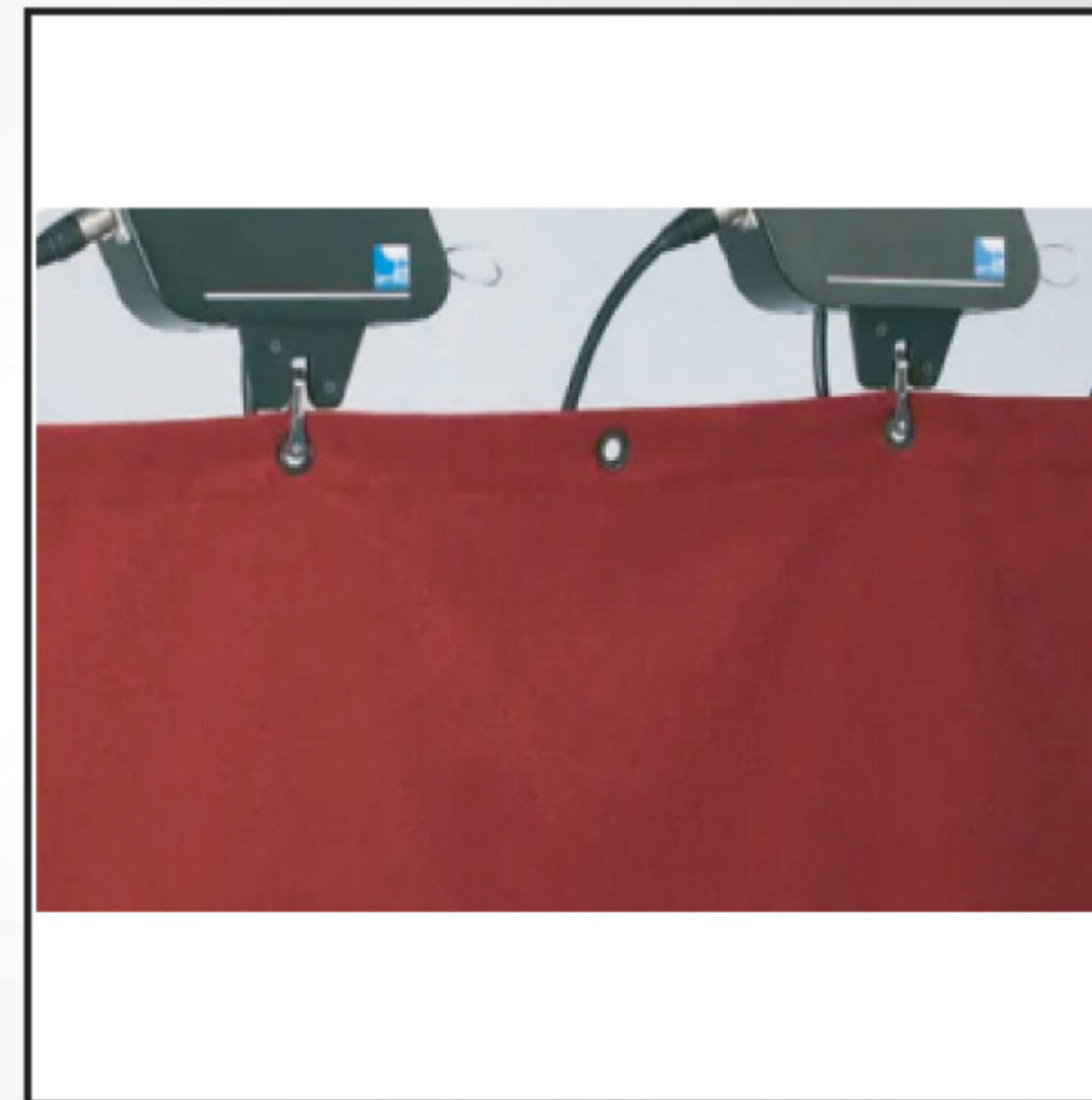
CO2 Jets



Cold Spark



Mirror Balls



Kabuki Curtain Drop



Drapes & Custom Socks



Dimmer Racks



Socapex Distribution



Power Distribution



Podiums



PRODUCTION ACCESSORIES

Technical Arts Group | 240 Anderson Avenue | Moonachie, NJ 07074 | (855) TAG-LIVE | rentals@taglive.com



Communication



RF Venue Systems



Yamaha RIO Racks



Whirlwind Stage Boxes



Aviom Monitor Systems



K&M Microphone Stands



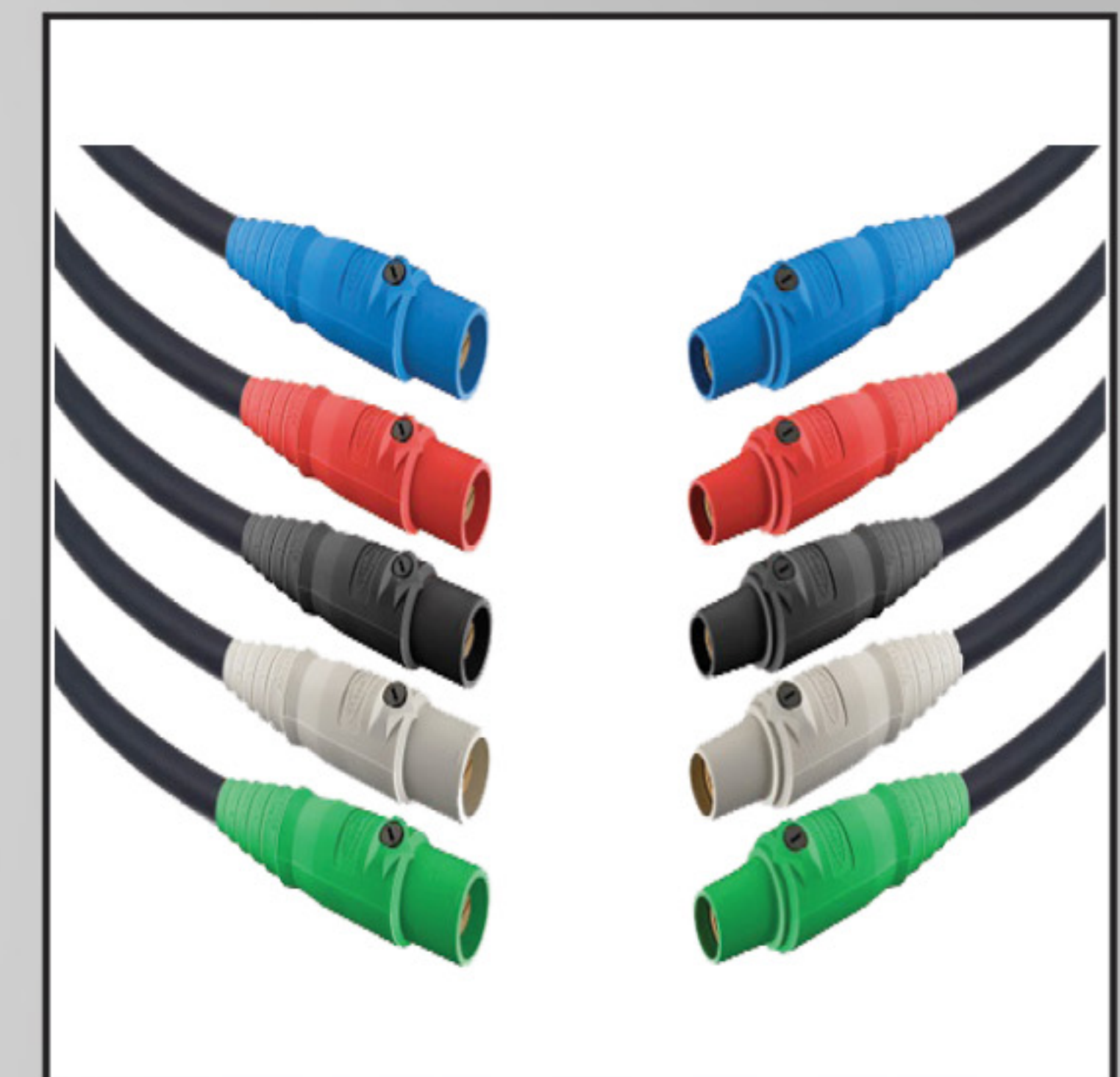
Apple MacBook Pro's



Fujinon Lenses



Fiber Cables



Feeder Cables



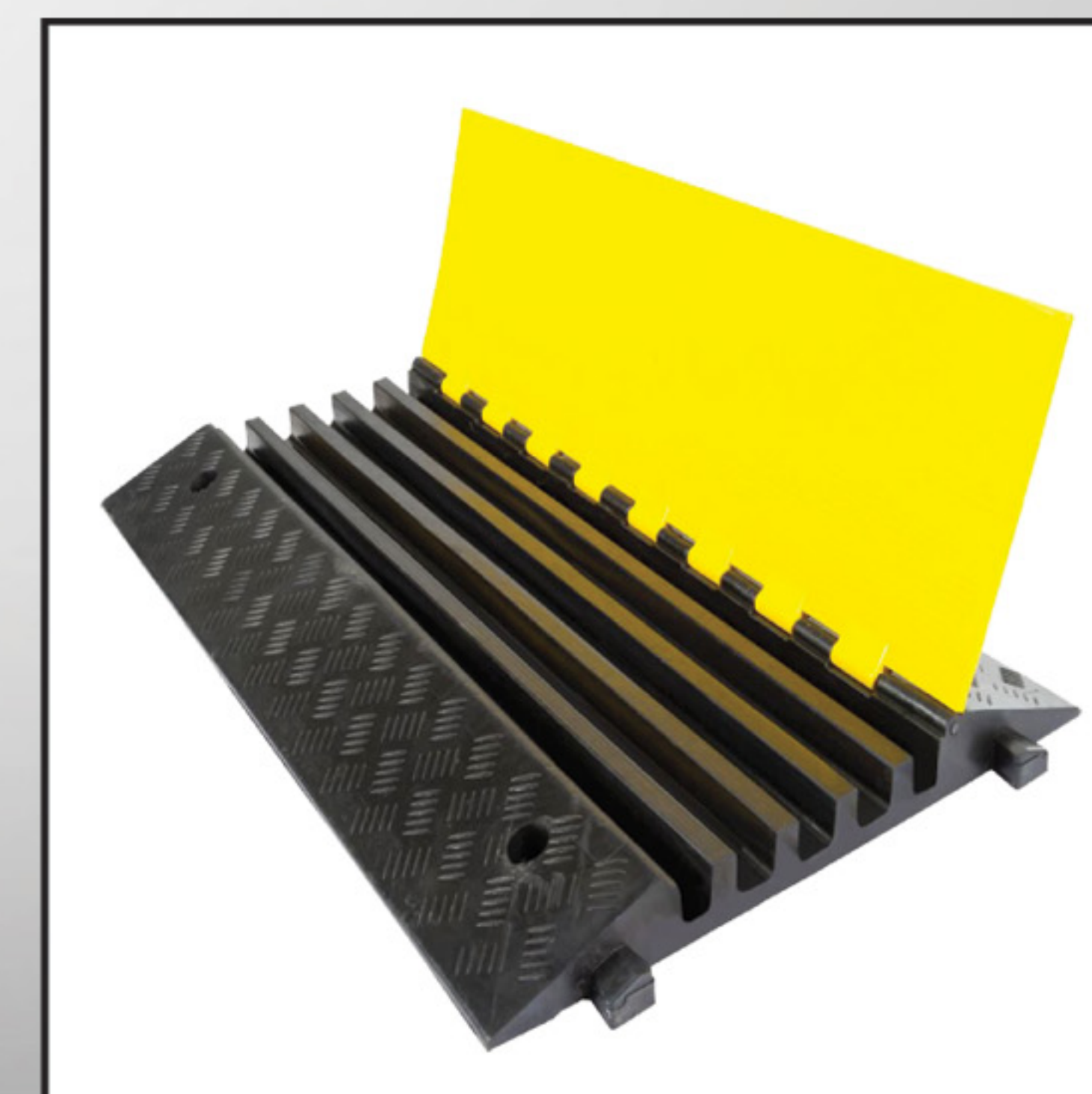
LKA Audio Cables



Socapex Cables



L2130 & L620 Cables



Cable Ramps



Barricades



**TECHNICAL
ARTS GROUP**

855-TAG-LIVE
rentals@taglive.com